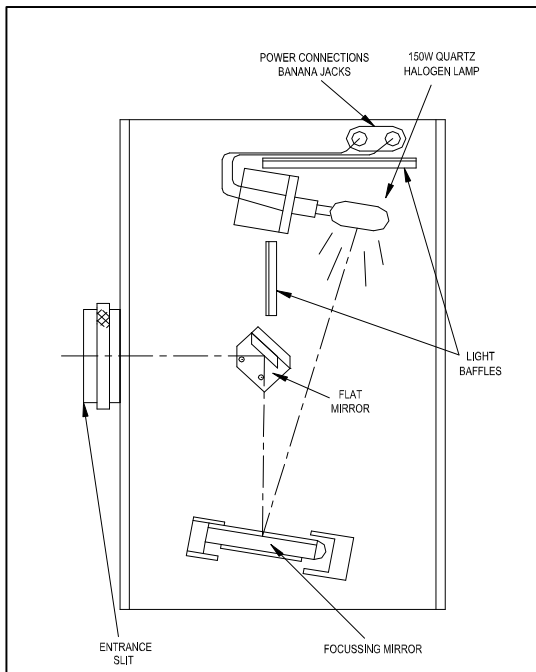


Gooch & Housego

The OL Series 740-20 High Intensity Source Attachments are designed specifically for use with the OL Series 750 Automated Spectroradiometric Measurement System. With the appropriate constant current power supply, these source attachments provide the intense, highly stable source of radiant intensity that is required for accurate measurements of detector spectral response, spectral reflectance, and spectral transmittance. The attachments consist of a source housing with all-mirror imaging optics matching the $f/4$ optics of the monochromator, which easily mounts to the monochromator entrance port via a spin ring. The OL Series 740-20 is available in (4) versions for use within a portion or the entire 0.2 to 30 μm wavelength region.

OL 740-20A

The OL 740-20A is furnished with a 150-watt quartz-halogen lamp for use in the 0.25 - 3.5 μm spectral region. The recommended lamp power supply is the OL 65A Programmable DC Current Source.

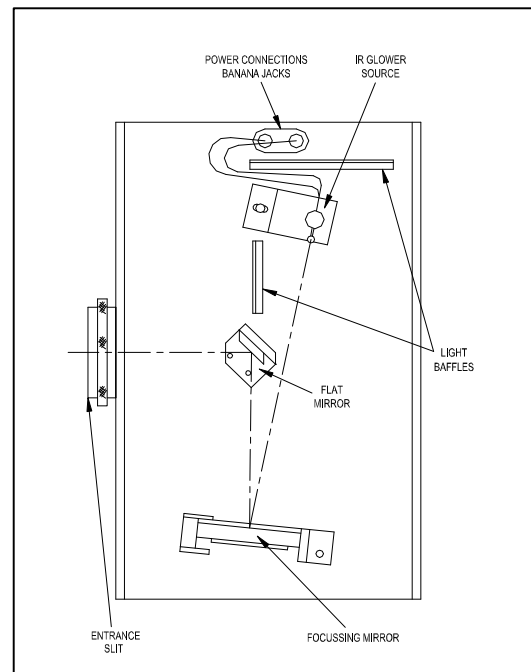


OL 740-20A Source Module

OL 740-20 High Intensity Source Attachment

OL 740-20IR

An infrared, ceramic, nernst glower is furnished with the OL 740-20IR for measurements in the 2.0 - 30 μm spectral region. The recommended source power supply is the OL 65A Programmable DC Current Source.



OL 740-20IR Source Module

Contact: orlandosales@goochandhousego.com

www.GHinstruments.com

As part of our policy of continuous product improvement, we reserve the right to change specifications at any time

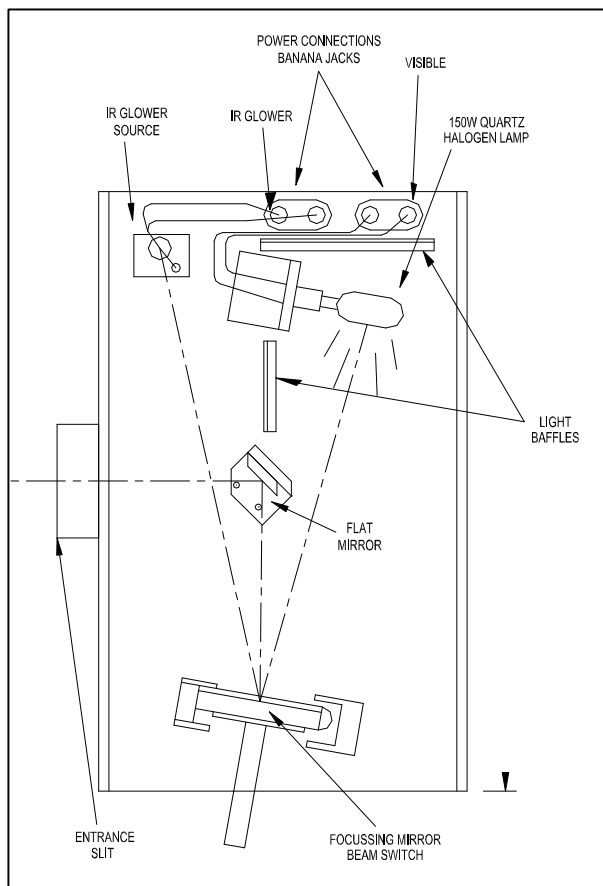


OL 740-20D/IR

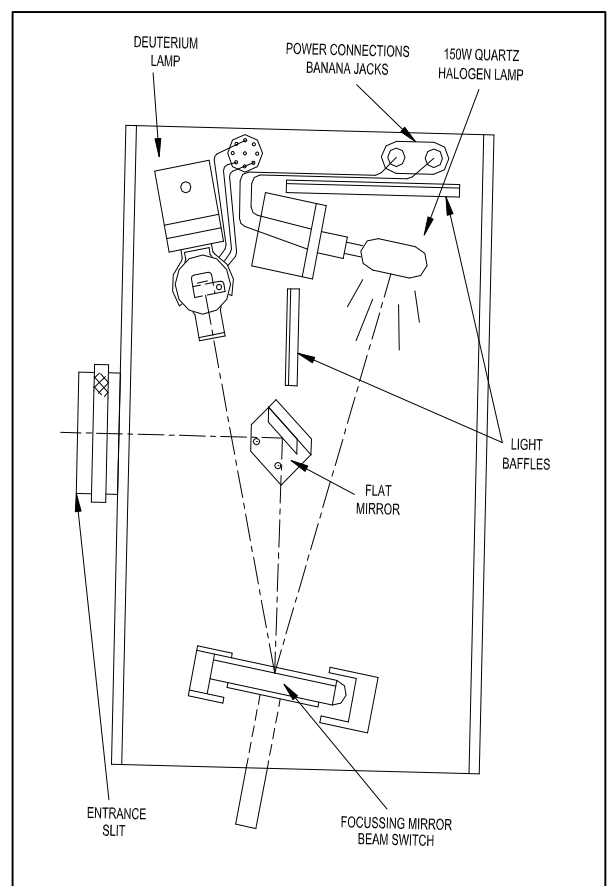
The OL 740-20D/IR is a dual source unit that incorporates both the 150-watt quartz-halogen lamp and the infrared, ceramic, nernst glower for measurements in the 0.25 - 30 μm spectral region. A precision manual beam switching mirror selects the source to be utilized for a particular wavelength region. The recommended power source supply for both sources is the OL 65A Programmable DC Current Source.

OL 740-20D/UV

The OL 740-20D/UV is a dual source unit that incorporates both the 150-watt quartz-halogen lamp and a 40-watt deuterium arc lamp for measurements in the 0.2 - 3.5 μm spectral region. The precision manual beam switching mirror selects the source to be utilized for a particular wavelength region. The deuterium lamp provides a high-intensity ultraviolet output for measurements in the 200 to 400 nm spectral region. The recommended lamp power supplies are the OL 65A Programmable DC Current Source and the OL 45D Dual Range Power Source for the deuterium lamp.



OL 740-20D/IR Source Module



OL 740-20D/UV Source Module