

Gooch & Housego



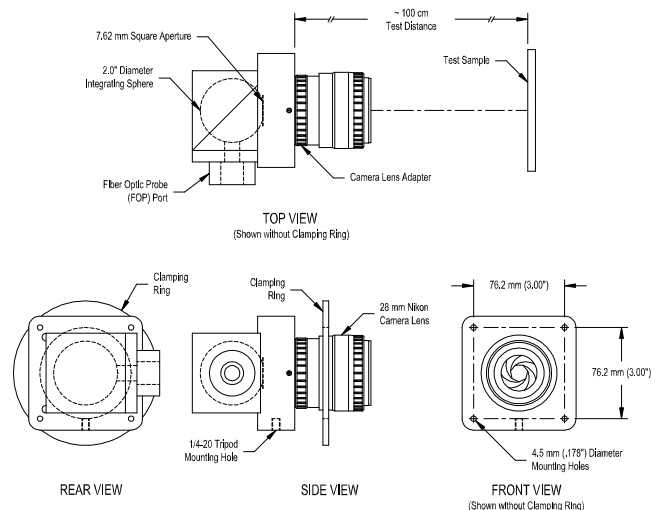
OL 700-LFOV Large Field of View Adapter

The OL 700-LFOV Large Field of View Adapter is ideal for spectral radiance measurements of displays, signage and other bright extended sources to provide accurate spectral, luminance, and colorimetric information. Designed for use with the OL 770-DMS Display Measurement System, the adapter incorporates a wide-angle camera lens, a mounting assembly with precision aperture and an integrating sphere to give improved spatially uniform response. It is a compact, lightweight, cost-effective package that conveniently mounts to a tripod. The small, portable design allows the adapter to be easily used in both laboratory and manufacturing environments. The OL 700-LFOV has many benefits over the simpler baffle tube and aperture input optics including:

- Measures luminance across extremely wide fields of view unachievable by other means
- Clearly defined field of view
- Spatially uniform response
- Adjustable signal attenuation through lens aperture
- Integrated into OL 770-DMS applications software

Additional attenuation can be accommodated with the optional OL 770-15Q Neutral Density Filter Holder and OL 770-15Q-A Automated 5-Position Neutral Density Filter Holder Wheel. The OL 700-LFOV package comes with a standard tripod screw mounting thread. An optional reverse illumination source is available to aid in establishing the measurement area and assisting with initial alignment of the FOV adapter by projecting a beam of light from the adapter onto the working plane to illuminate the measurement area and enable the lens to be focused. Gooch & Housego also supplies a range of radiance/luminance calibration standards for calibrating this input optic with the OL 770-DMS.

SPECIFICATIONS	
Spectral Range	380 nm – 1100 nm
Lens Mount	Nikon®
Standard Lens	28 mm Wide-Angle
Minimum Focus	25 cm
Lens Aperture	f/2.8 to f/22
Image Aperture	7.62 x 7.62 mm
Magnification @ 1m	33X
Base Mount	1/4-20 Standard Tripod Screw
Weight	1.3 kg
Dimensions	9.5 cm x 9.5 cm x 15.25 cm



Contact: orlandosales@goochandhousego.com

www.GHinstruments.com

As part of our policy of continuous product improvement, we reserve the right to change specifications at any time

